

## Street Lights Datasheet

# LED



## ➤ **Features:**

- Super bright High-power LED as lighting sources; high efficiency, energy Saving, Eco-friendly;
- Aluminium alloy frame with high-thermal conductivity, simple and nice;
- Integrated heat dispersion structure, low lumens depreciation and long lifespan;
- Constant current driving power, the general availability;
- Easy to install

## ➤ **Applications:**

Street/Park / square/industrial district / school/ New Rural City Road /Lane

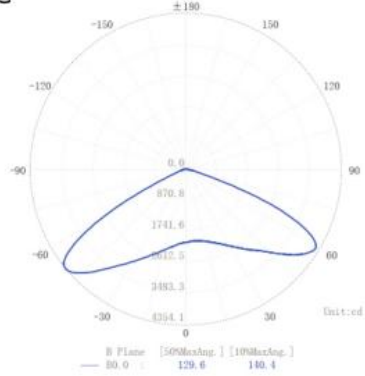


➤ **Technical Specifications:**

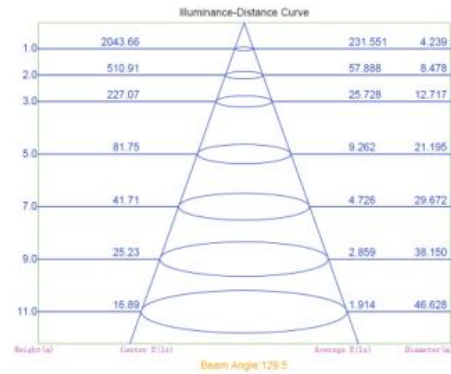
Part numbers	IDST60BX	IDST90BX	IDST120BX	IDST150BX	IDST180BX
Input Voltage	AC90-305V 50/60hz PF>0.95				
Lumen	6000LM±5%	9000LM±5%	12000LM±5%	15000LM±5%	18000LM±5%
Power	60W±5%	90W±5%	120W±5%	150W±5%	180W±5%
Efficacy	>100lm/w				
CCT	3000k/4000k/5000k/5700k				
CRI	>80Ra				
Beam angle	130°				
LED Source	60PCS/ High-power	90PCS/ High-power	120PCS/ High-power	150PCS/ High-power	180PCS/ High-power
IP Rating	IP65				
Lifespan	40,000H at 50°C ambient temperature				
Working Temperature	-40 - 50°C				
Material	AL+Lens				
Warranty	5 years				

➤ **Light distribution curve and lighting diagram:**

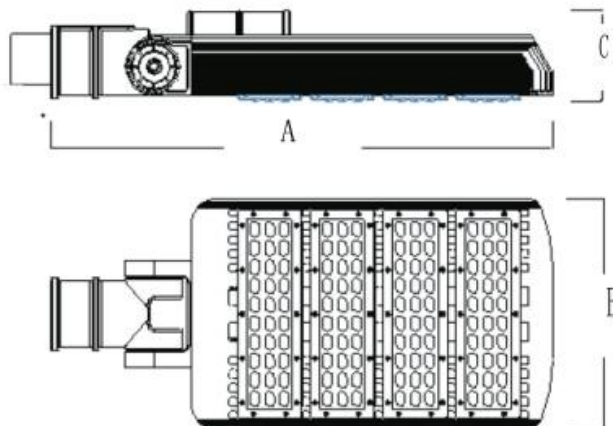
V. Light distribution curve drawing



VI. Illumination Distribution Drawing



➤ **Mechanical Dimensions: (Unit:mm) ±2mm**



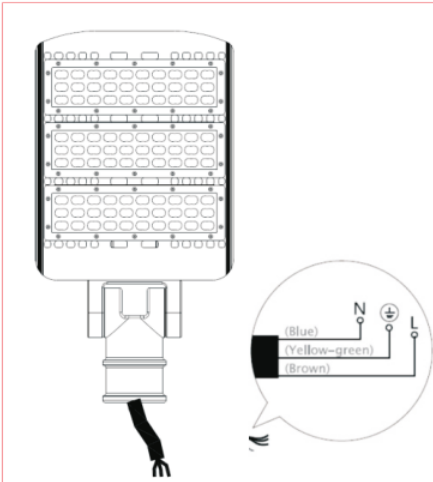
Part No.	A	B	C
ES-ST02-60W-XX	437	280	115
ES-ST02-90W-XX	526	280	115
ES-ST02-120W-XX	615	280	115
ES-ST02-150W-XX	704	280	115
ES-ST02-180W-XX	793	280	115

➤ **Package:**

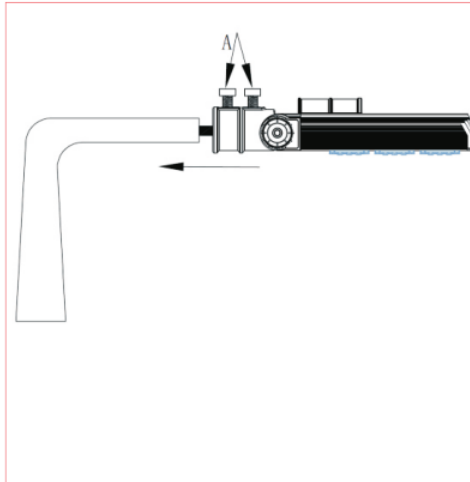


Model	Box Size	Carton Size	Q'ty	N.W.	G.W.
ES-ST02-60W-XX	540*340*180m m	560*700*380m m	4pcs	17.6kg	22.48kg
ES-ST02-90W-XX	615*340*180m m	635*700*380m m	4pcs	22.8kg	28.48kg
ES-ST02-120W-XX	710*340*180m m	730*360*380m m	2pcs	13.44kg	17.6kg
ES-ST02-150W-XX	795*340*180m m	815*360*380m m	2pcs	15.6kg	20kg
ES-ST02-180W-XX	875*340*180m m	895*360*380m m	2pcs	18kg	23kg

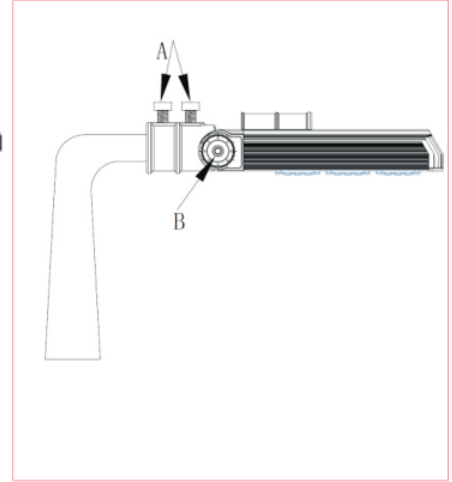
## ➤ Installing Instruction



1. Disconnect switch,  
Connect the power supply



2. Loosen the screws A,  
Will head into the lamp post,  
Tighten the screws A



3. Loosen the screws B,  
Adjust the angle,  
Tighten the screws B

## ➤ Note:

1. Avoid dropping of LED Street lamp, otherwise will be damaged;
2. Forbid to install the when power on. before power on ,please Make sure that wiring is correct once installation finished;
3. Ensure stable installation and correct connection to avoid short -circuit damage to the and causing fire hazard;
4. Please do not stare at the for a long time when it is working to protect your eyes;
5. Only professional personnel may dismantle and repair